

# MICRO G4



## DESCRIPTION

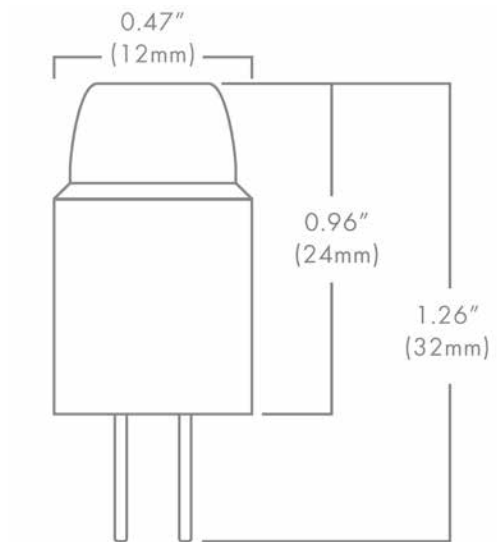
The Brilliance Micro G4 Bi-Pin is a sub-compact LED that utilizes a Samsung chipset and features Brilliance's omni-directional beam pattern. This Micro G4 Bi-Pin is energy efficient and water resistant. It is designed specifically for landscape retrofit applications and is ideal for pathway lighting fixtures. Dimmable with Brilliance Dimmer and most magnetic transformers.

## FEATURES

- Ceramic technology
- Dimmable with Brilliance Dimmer and most magnetic transformers
- UL Certified E360351

## MICRO G4 SPECS

Wattage	<b>1.2</b>	
Lumens	<b>2700K</b>	<b>3000K</b>
1.2W	95	100
Beam Spread	<b>Omni-directional</b>	
Kelvin Temperature	<b>2700, 3000</b>	
Color	<b>Amber</b>	
Operating Range	<b>8-14 VAC/DC</b>	
Replaces	<b>10W Halogen</b>	
CRI	<b>85</b>	
IP	<b>65</b>	
Lamp Life (hours)	<b>35,000</b>	
Warranty (years)	<b>5</b>	



Part Number: **BRI-MICRO-G4-XXXX**

↓  
Kelvin/Color

